

SYCLOSPOT Range



SYCLOSPOT LP18

High lumen output and low energy consumption spotlight. The SYCLOSPOT 18W Led is equivalent to a 90W Metal Halide framing projector.

Fixed commutable optical lenses , beam angle 22° or 40°.

230 Volts direct power supply.

Several mounting possibilities : 3 circuits track adaptor, hook mounting, wall mounting or tieback mounting.

Other mounting options on demand.

Tilt angle 200° - azimuth 365°.

Holding positions by friction and locking screw.

Handle free.

Integrated magnetic filter holder.

Optional barn-doors.



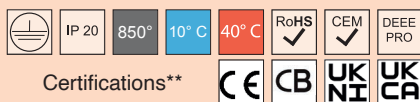
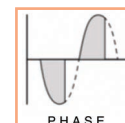
**MANUFACTURING
DESIGN**

Technical specifications

Light source type	LED
Led Power Rating	18W
Beam angle	22° or 40°
Color temperature (Step Macadam SDCM2)	3 000 K - 4 000 K
Led nominal output	1 920 lm - 1 970 lm
CRI (Ra)	97 - 97
R9	> 96
Lumen maintenance L80B10	140 000 operating hours
Dimming/control	Potentiometer / Phase cut / DALI 2 Casambi / Casambi + Potentiometer
Thermal dissipation	Passive
Housing materials	Body : anodized aluminium – painted steel
Weight	1,610 Kg
Finish	Black or White - Other RAL colors upon request



Thomas Henry Museum - Cherbourg - France - @spxlighting



SPX Lighting - Offices : 10 rue des Marronniers 94 240 L'Hay Les Roses - France.

Factory : Zac des Coinchettes - 36 100 Issoudun - France.

Contacts +33 01 82 33 02 80 - contact@spx-lighting.com - www.spx-lighting.com

All rights reserved. Partial or complete reproductions is prohibited unless written permission of SPX Lighting. Information contained in this document does not contractually bind SPX Lighting. Despite the care SPX Lighting brings to the accuracy and precision of the present information, the responsibility of SPX Lighting can not be sought in case of inaccurate information. SPX Lighting reserves the right to change this information at any time without prior notice. SPX Lighting cannot be held liable for the consequences of the use of the present document. This publication does not imply any transfer of intellectual property rights.

Date of publication February 2023.

VERSION 23A



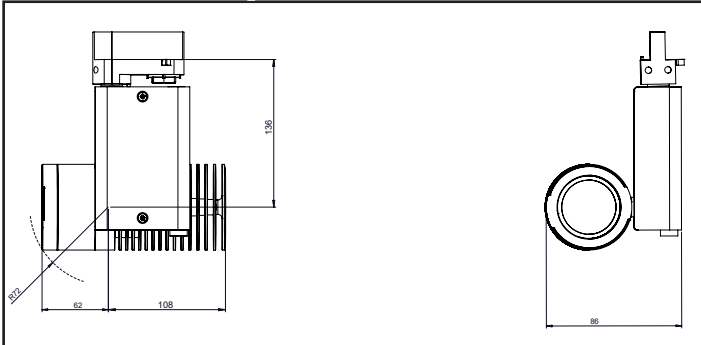
SYCLOSPOT Range

SYCLOSPOT LP18

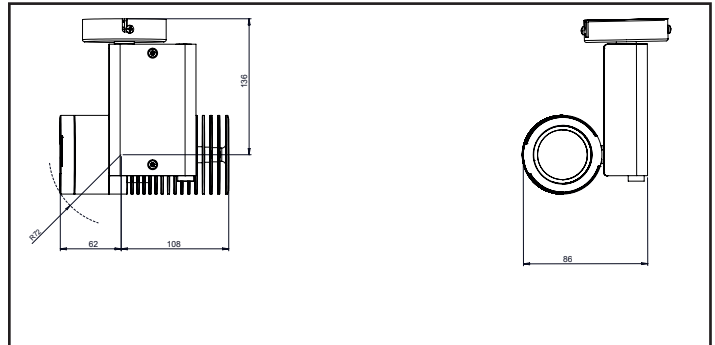


Mounting versions

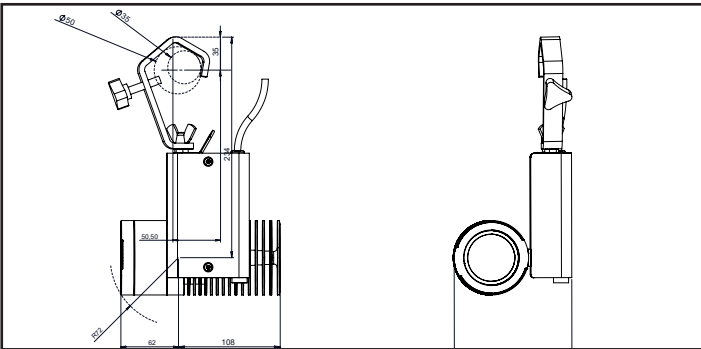
3 Circuits Track Adaptor



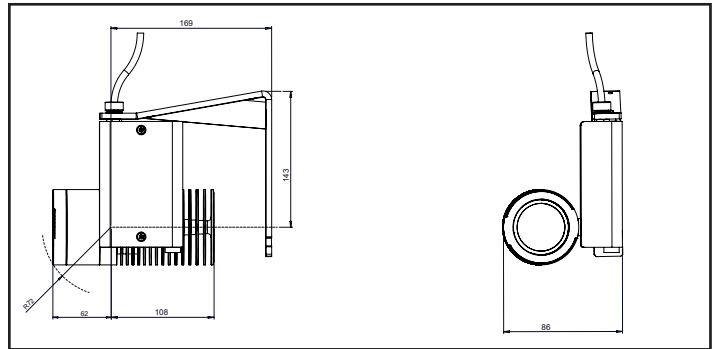
Tieback



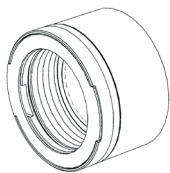
Hook



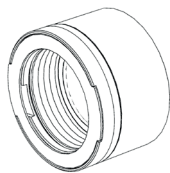
Wall



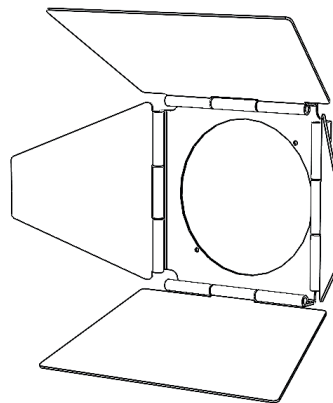
Accessories



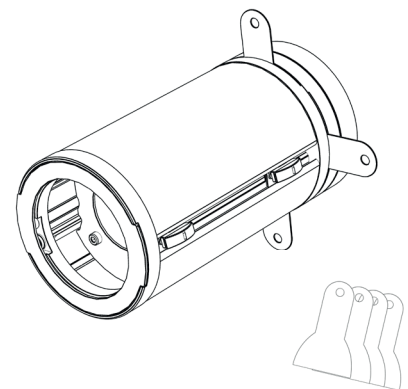
22° Optical lens
with filter holder



40° Optical lens
with filter holder



Adjustable hinged barn-doors
(adaptable to the 22° or 40° optical lens)



Optical Zoom
18° < 42° - with shutters



SPX Lighting - Offices : 10 rue des Marronniers 94 240 L'Hay Les Roses - France.

Factory : Zac des Coinchettes - 36 100 Issoudun - France.

Contacts +33 01 82 33 02 80 - contact@spx-lighting.com - www.spx-lighting.com

All rights reserved. Partial or complete reproductions is prohibited unless written permission of SPX Lighting. Information contained in this document does not contractually bind SPX Lighting. Despite the care SPX Lighting brings to the accuracy and precision of the present information, the responsibility of SPX Lighting can not be sought in case of inaccurate information. SPX Lighting reserves the right to change this information at any time without prior notice. SPX Lighting cannot be held liable for the consequences of the use of the present document. This publication does not imply any transfer of intellectual property rights.

Date of publication February 2023.

VERSION 23A





SYCLOSPOT LP18

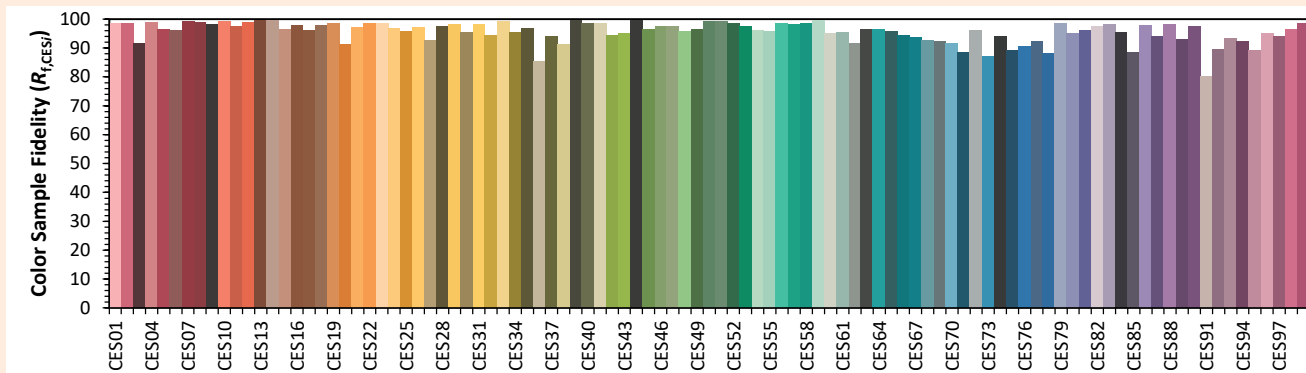
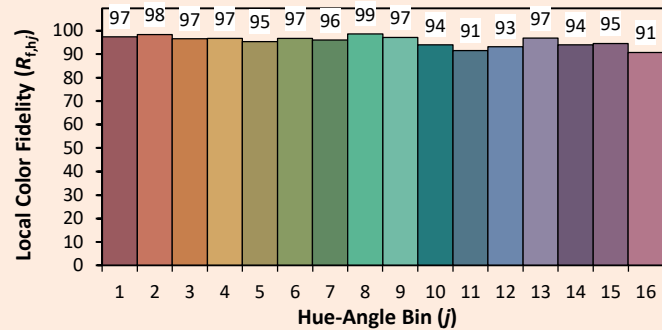
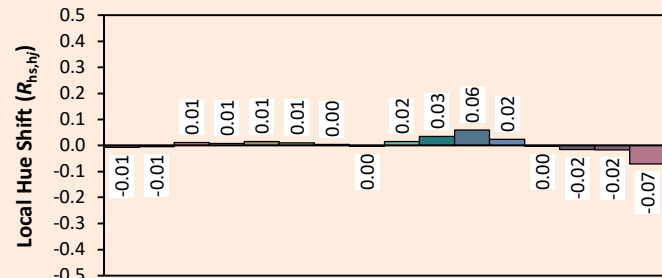
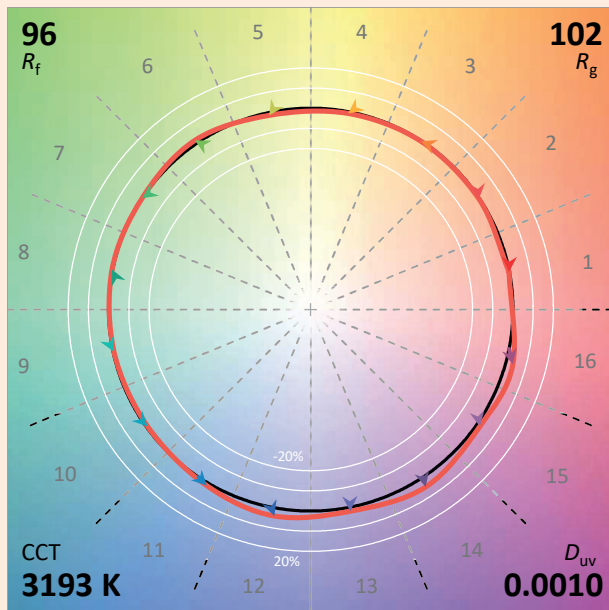
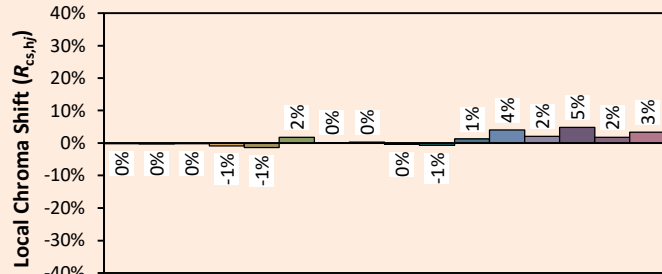
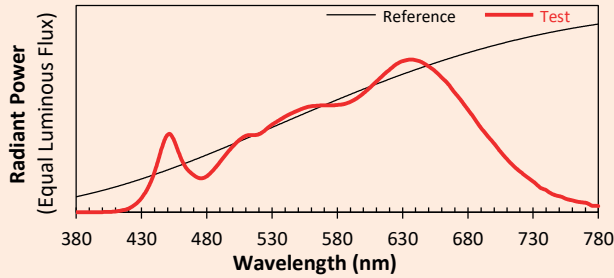
Colorimetry Data

Source: COB 3000K

Manufacturer: SPX LIGHTING

Date: 06/07/2022

Model: SYCLOSPOT 3000K



Notes:

Indicative values varying around the typical value.

x 0.4251
y 0.4021
u' 0.2438
v' 0.5189

CIE 13.3-1995 (CRI)	
R _a	98
R _g	99



SPX Lighting - Offices : 10 rue des Marronniers 94 240 L'Hay Les Roses - France.

Factory : Zac des Coinchettes - 36 100 Issoudun - France.

Contacts +33 01 82 33 02 80 - contact@spx-lighting.com - www.spx-lighting.com

All rights reserved. Partial or complete reproductions is prohibited unless written permission of SPX Lighting. Information contained in this document does not contractually bind SPX Lighting. Despite the care SPX Lighting brings to the accuracy and precision of the present information, the responsibility of SPX Lighting can not be sought in case of inaccurate information. SPX Lighting reserves the right to change this information at any time without prior notice. SPX Lighting cannot be held liable for the consequences of the use of the present document. This publication does not imply any transfer of intellectual property rights.

Date of publication February 2023.

VERSION 23A





SYCLOSPOT LP18

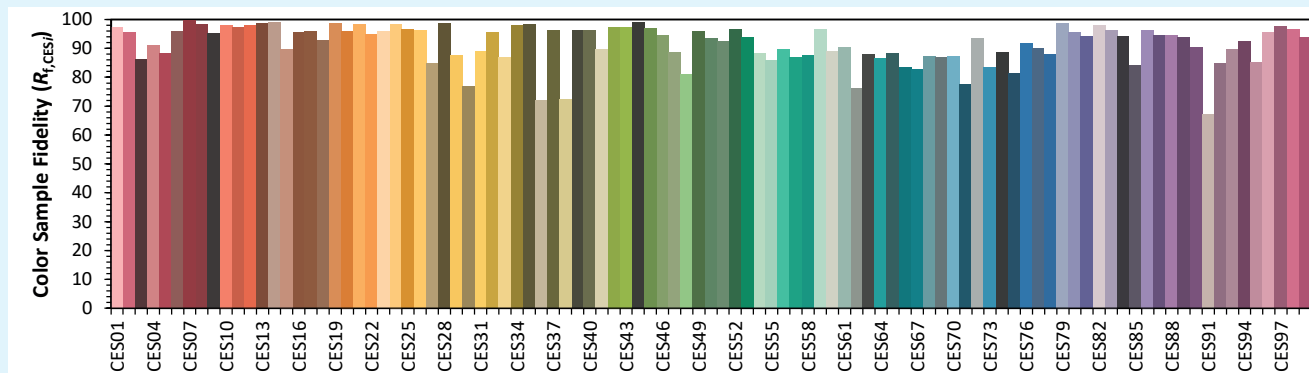
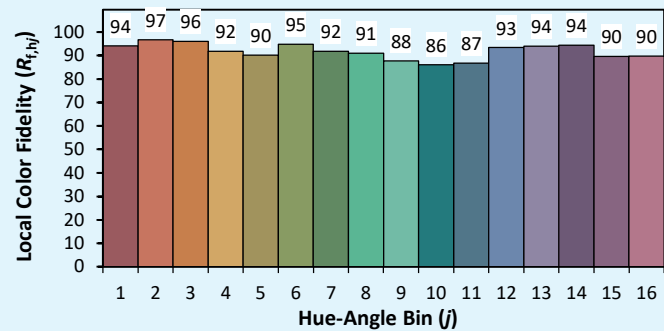
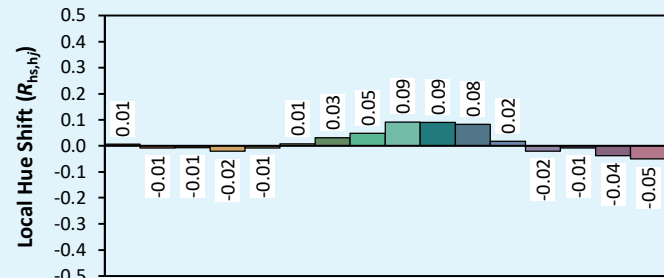
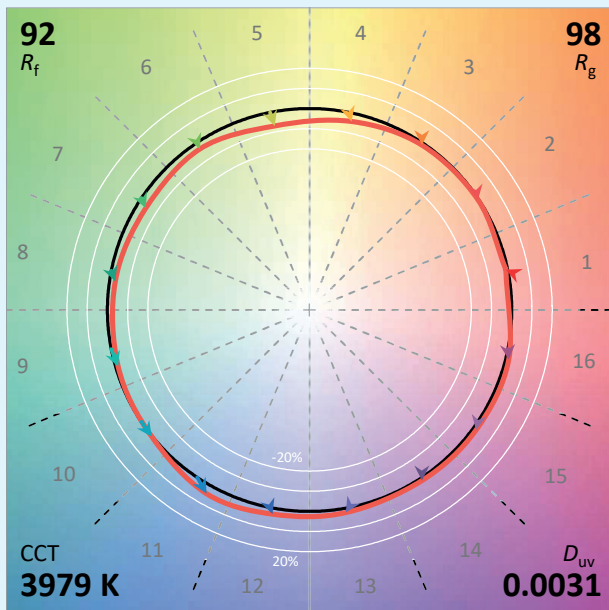
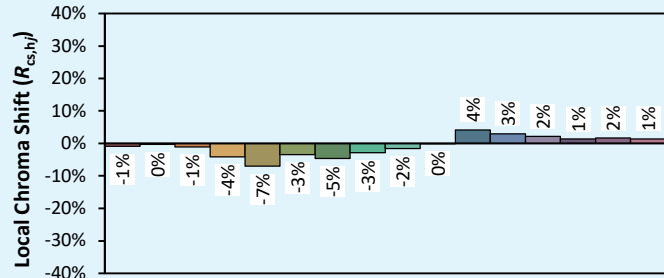
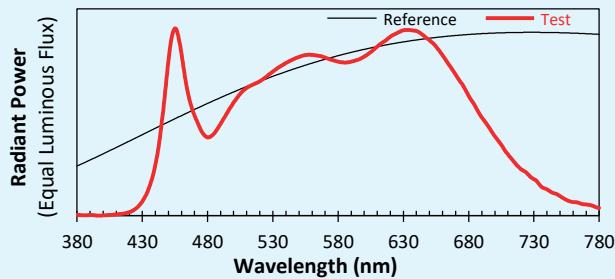
Colorimetry Data

Source: COB 4000K

Date: 06/07/2022

Manufacturer: SPX LIGHTING

Model: SYCLOSPOT 4000K



Notes:

Indicative values varying around the typical value.

x 0.3836
 y 0.3855
 u' 0.2237
 v' 0.5058

CIE 13.3-1995 (CRI)	
R _a	96
R _g	96



SPX Lighting - Offices : 10 rue des Marronniers 94 240 L'Hay Les Roses - France.

Factory : Zac des Coinchettes - 36 100 Issoudun - France.

Contacts +33 01 82 33 02 80 - contact@spx-lighting.com - www.spx-lighting.com

All rights reserved. Partial or complete reproductions is prohibited unless written permission of SPX Lighting. Information contained in this document does not contractually bind SPX Lighting. Despite the care SPX Lighting brings to the accuracy and precision of the present information, the responsibility of SPX Lighting can not be sought in case of inaccurate information. SPX Lighting reserves the right to change this information at any time without prior notice. SPX Lighting cannot be held liable for the consequences of the use of the present document. This publication does not imply any transfer of intellectual property rights.

Date of publication February 2023.

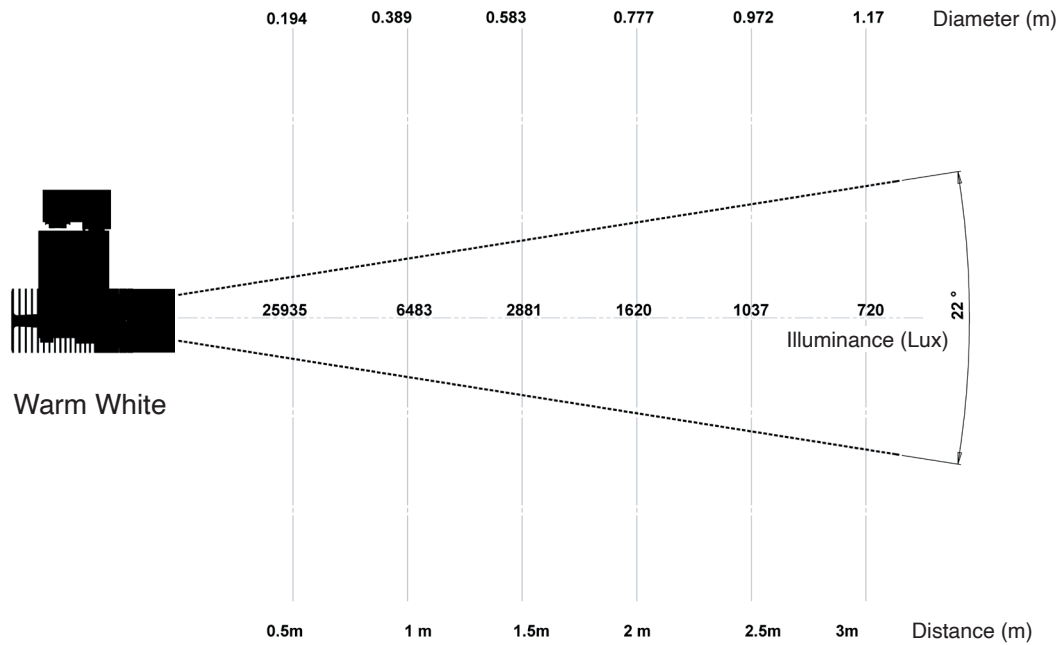
VERSION 23A



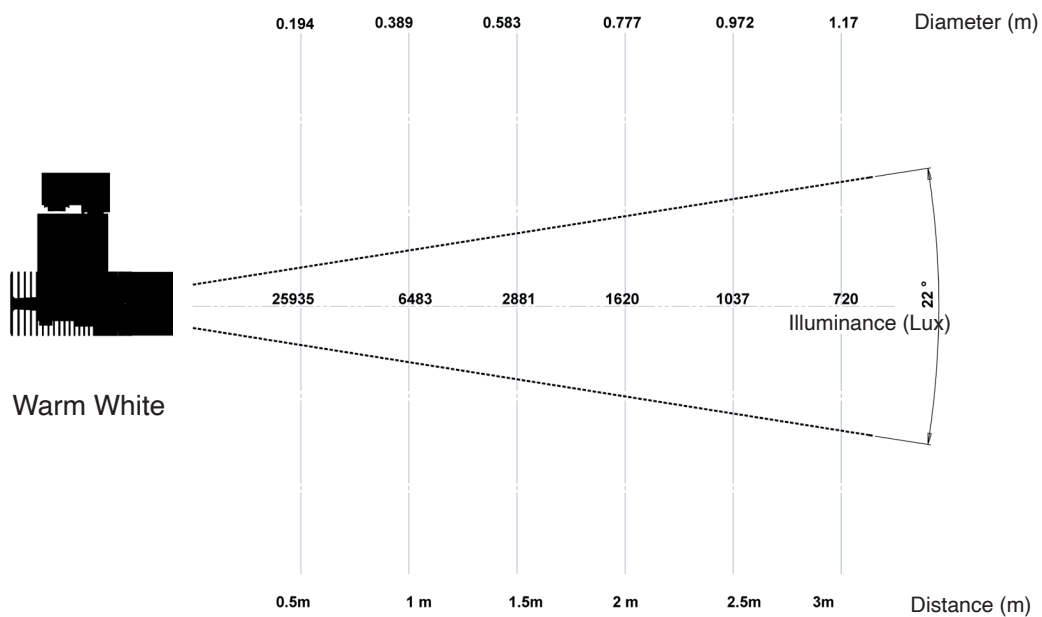


SYCLOSPOT LP18

Photometry Data



SYCLOSPOT 3000K 22°



SYCLOSPOT 3000K 22°



SPX Lighting - Offices : 10 rue des Marronniers 94 240 L'Hay Les Roses - France.

Factory : Zac des Coinchettes - 36 100 Issoudun - France.

Contacts +33 01 82 33 02 80 - contact@spx-lighting.com - www.spx-lighting.com

All rights reserved. Partial or complete reproductions is prohibited unless written permission of SPX Lighting. Information contained in this document does not contractually bind SPX Lighting. Despite the care SPX Lighting brings to the accuracy and precision of the present information, the responsibility of SPX Lighting can not be sought in case of inaccurate information. SPX Lighting reserves the right to change this information at any time without prior notice. SPX Lighting cannot be held liable for the consequences of the use of the present document. This publication does not imply any transfer of intellectual property rights.

Date of publication February 2023.

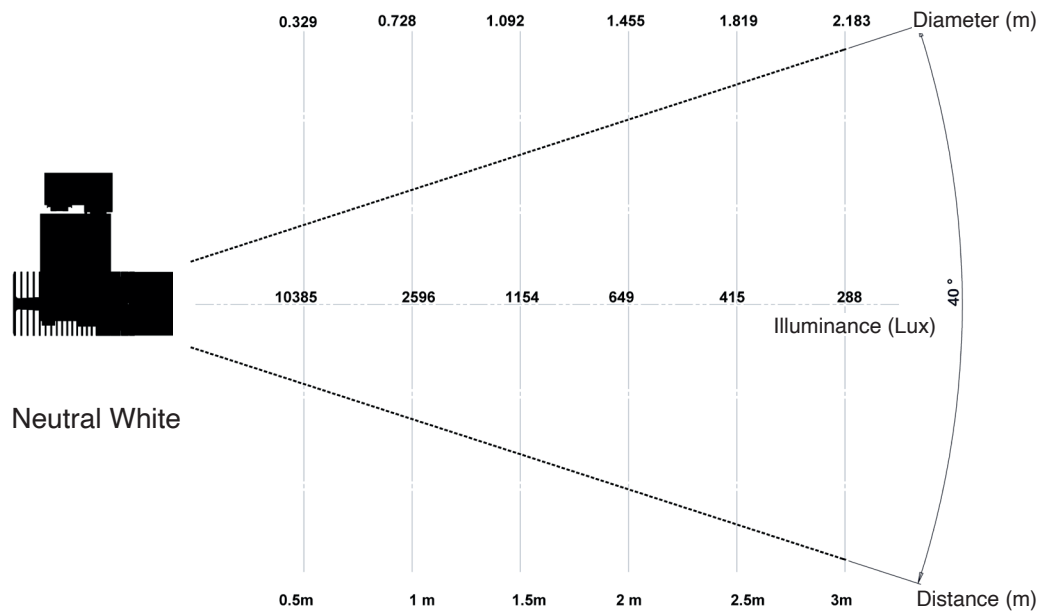
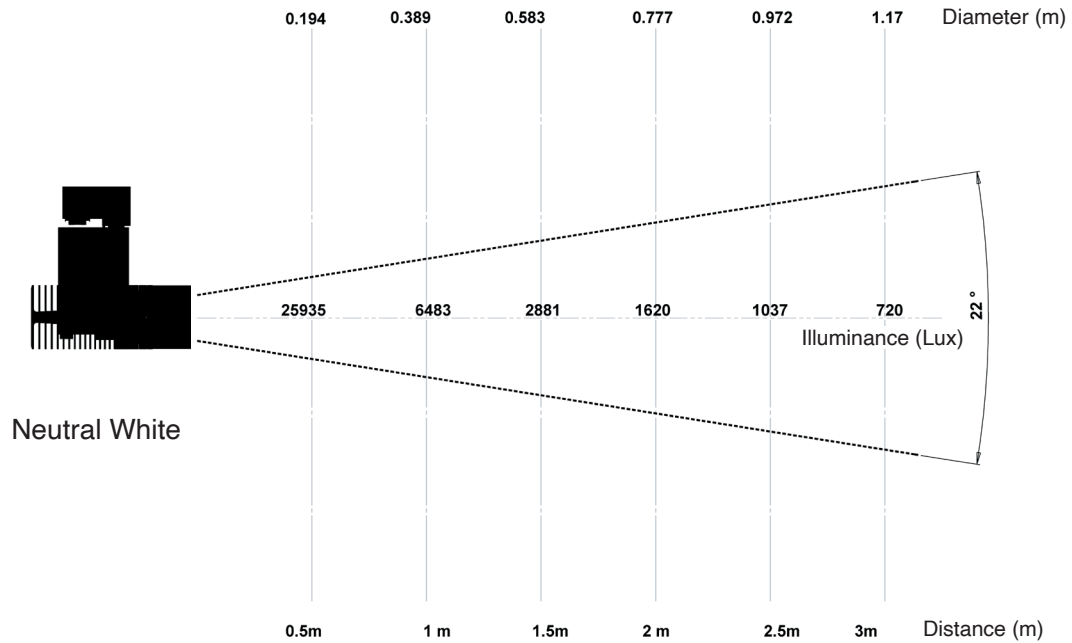
VERSION 23A





SYCLOSPOT LP18

Photometry Data



SPX Lighting - Offices : 10 rue des Marronniers 94 240 L'Hay Les Roses - France.

Factory : Zac des Coinchettes - 36 100 Issoudun - France.

Contacts +33 01 82 33 02 80 - contact@spx-lighting.com - www.spx-lighting.com

All rights reserved. Partial or complete reproductions is prohibited unless written permission of SPX Lighting. Information contained in this document does not contractually bind SPX Lighting. Despite the care SPX Lighting brings to the accuracy and precision of the present information, the responsibility of SPX Lighting can not be sought in case of inaccurate information. SPX Lighting reserves the right to change this information at any time without prior notice. SPX Lighting cannot be held liable for the consequences of the use of the present document. This publication does not imply any transfer of intellectual property rights.

Date of publication February 2023.

VERSION 23A



SYCLOSPOT LP18



Items References

Beam angle 22°

Power Consumption	Voltage	Mounting Versions	Dimming Control	Beam Angle	Color Temp	Black Finish	White Finish
21W	230Vac	3 Circuits Track Adaptator Nordic	Potentiometer	22°	Warm White	PRI01100	PRI01108
21W	230Vac	3 Circuits Track Adaptator Nordic	Potentiometer	22°	Neutral White	PRI01101	PRI01109
21W	230Vac	3 Circuits Track Adaptator Nordic DALI	DALI	22°	Warm White	PRI01102	PRI01110
21W	230Vac	3 Circuit Track Adaptator Nordic DALI	DALI	22°	Neutral White	PRI01103	PRI01111
21W	230Vac	3 Circuits Track Adaptator Nordic	PHASE	22°	Warm White	PRI01104	PRI01112
21W	230Vac	3 Circuits Track Adaptator Nordic	PHASE	22°	Neutral White	PRI01105	PRI01113
21W	230Vac	3 Circuits Track Adaptator Nordic	CASAMBI	22°	Warm White	PRI01106	PRI01114
21W	230Vac	3 Circuits Track Adaptator Nordic	CASAMBI	22°	Neutral White	PRI01107	PRI01115
21W	230Vac	3 Circuits Track Adaptator Nordic	CASAMBI + POT	18° to 42°	Warm White	PRI01825	PRI01827
21W	230Vac	3 Circuits Track Adaptator Nordic	CASAMBI + POT	18° to 42°	Neutral White	PRI01826	PRI01828
21W	230Vac	TIEBACK	Potentiometer	22°	Warm White	PRI01116	PRI01124
21W	230Vac	TIEBACK	Potentiometer	22°	Neutral White	PRI01117	PRI01125
21W	230Vac	TIEBACK	DALI	22°	Warm White	PRI01118	PRI01126
21W	230Vac	TIEBACK	DALI	22°	Neutral White	PRI01119	PRI01127
21W	230Vac	TIEBACK	PHASE	22°	Warm White	PRI01120	PRI01128
21W	230Vac	TIEBACK	PHASE	22°	Neutral White	PRI01121	PRI01129
21W	230Vac	TIEBACK	CASAMBI	22°	Warm White	PRI01122	PRI01130
21W	230Vac	TIEBACK	CASAMBI	22°	Neutral White	PRI01123	PRI01131
21W	230Vac	HOOK	Potentiometer	22°	Warm White	PRI01132	PRI01140
21W	230Vac	HOOK	Potentiometer	22°	Neutral White	PRI01133	PRI01141
21W	230Vac	HOOK	DALI	22°	Warm White	PRI01134	PRI01142
21W	230Vac	HOOK	DALI	22°	Neutral White	PRI01135	PRI01143
21W	230Vac	HOOK	PHASE	22°	Warm White	PRI01136	PRI01144
21W	230Vac	HOOK	PHASE	22°	Neutral White	PRI01137	PRI01145
21W	230Vac	HOOK	CASAMBI	22°	Warm White	PRI01138	PRI01146
21W	230Vac	HOOK	CASAMBI	22°	Neutral White	PRI01139	PRI01147
21W	230Vac	WALL	Potentiometer	22°	Warm White	PRI01148	PRI01156
21W	230Vac	WALL	Potentiometer	22°	Neutral White	PRI01149	PRI01157
21W	230Vac	WALL	DALI	22°	Warm White	PRI01150	PRI01158
21W	230Vac	WALL	DALI	22°	Neutral White	PRI01151	PRI01159
21W	230Vac	WALL	PHASE	22°	Warm White	PRI01152	PRI01160
21W	230Vac	WALL	PHASE	22°	Neutral White	PRI01153	PRI01161
21W	230Vac	WALL	CASAMBI	22°	Warm White	PRI01154	PRI01162
21W	230Vac	WALL	CASAMBI	22°	Neutral White	PRI01155	PRI01163

**
**
**
**

** Certifications : please check technical specifications



SPX Lighting Factory - Issoudun - France



SPX Lighting - Offices : 10 rue des Marronniers 94 240 L'Hay Les Roses - France.

Factory : Zac des Coinchettes - 36 100 Issoudun - France.

Contacts +33 01 82 33 02 80 - contact@spx-lighting.com - www.spx-lighting.com

All rights reserved. Partial or complete reproductions is prohibited unless written permission of SPX Lighting. Information contained in this document does not contractually bind SPX Lighting. Despite the care SPX Lighting brings to the accuracy and precision of the present information, the responsibility of SPX Lighting can not be sought in case of inaccurate information. SPX Lighting reserves the right to change this information at any time without prior notice. SPX Lighting cannot be held liable for the consequences of the use of the present document. This publication does not imply any transfer of intellectual property rights.

Date of publication February 2023.

VERSION 23A





SYCLOSPOT LP18

Items References

Beam angle 40°

Power Consumption	Voltage	Mounting Versions	Dimming Control	Beam Angle	Color Temp	Black Finish	White Finish	
21W	230Vac	3 Circuits Track Adaptator Nordic	Potentiometer	40°	Warm White	PRI01164	PRI01172	**
21W	230Vac	3 Circuits Track Adaptator Nordic	Potentiometer	40°	Neutral White	PRI01165	PRI01173	**
21W	230Vac	3 Circuits Track Adaptator Nordic DALI	DALI	40°	Warm White	PRI01166	PRI01174	**
21W	230Vac	3 Circuit Track Adaptator Nordic DALI	DALI	40°	Neutral White	PRI01167	PRI01175	**
21W	230Vac	3 Circuits Track Adaptator Nordic	PHASE	40°	Warm White	PRI01168	PRI01176	
21W	230Vac	3 Circuits Track Adaptator Nordic	PHASE	40°	Neutral White	PRI01169	PRI01177	
21W	230Vac	3 Circuits Track Adaptator Nordic	CASAMBI	40°	Warm White	PRI01170	PRI01178	
21W	230Vac	3 Circuits Track Adaptator Nordic	CASAMBI	40°	Neutral White	PRI01171	PRI01179	
21W	230Vac	3 Circuits Track Adaptator Nordic	CASAMBI + POT	18° to 42°	Warm White	PRI01829	PRI01831	
21W	230Vac	3 Circuits Track Adaptator Nordic	CASAMBI + POT	18° to 42°	Neutral White	PRI01830	PRI01832	
21W	230Vac	TIEBACK	Potentiometer	40°	Warm White	PRI01180	PRI01188	
21W	230Vac	TIEBACK	Potentiometer	40°	Neutral White	PRI01181	PRI01189	
21W	230Vac	TIEBACK	DALI	40°	Warm White	PRI01182	PRI01190	
21W	230Vac	TIEBACK	DALI	40°	Neutral White	PRI01183	PRI01191	
21W	230Vac	TIEBACK	PHASE	40°	Warm White	PRI01184	PRI01192	
21W	230Vac	TIEBACK	PHASE	40°	Neutral White	PRI01185	PRI01193	
21W	230Vac	TIEBACK	CASAMBI	40°	Warm White	PRI01186	PRI01194	
21W	230Vac	TIEBACK	CASAMBI	40°	Neutral White	PRI01187	PRI01195	
21W	230Vac	HOOK	Potentiometer	40°	Warm White	PRI01196	PRI01204	
21W	230Vac	HOOK	Potentiometer	40°	Neutral White	PRI01197	PRI01205	
21W	230Vac	HOOK	DALI	40°	Warm White	PRI01198	PRI01206	
21W	230Vac	HOOK	DALI	40°	Neutral White	PRI01199	PRI01207	
21W	230Vac	HOOK	PHASE	40°	Warm White	PRI01200	PRI01208	
21W	230Vac	HOOK	PHASE	40°	Neutral White	PRI01201	PRI01209	
21W	230Vac	HOOK	CASAMBI	40°	Warm White	PRI01202	PRI01210	
21W	230Vac	HOOK	CASAMBI	40°	Neutral White	PRI01203	PRI01211	
21W	230Vac	WALL	Potentiometer	40°	Warm White	PRI01212	PRI01220	
21W	230Vac	WALL	Potentiometer	40°	Neutral White	PRI01213	PRI01221	
21W	230Vac	WALL	DALI	40°	Warm White	PRI01214	PRI01222	
21W	230Vac	WALL	DALI	40°	Neutral White	PRI01215	PRI01223	
21W	230Vac	WALL	PHASE	40°	Warm White	PRI01216	PRI01224	
21W	230Vac	WALL	PHASE	40°	Neutral White	PRI01217	PRI01225	
21W	230Vac	WALL	CASAMBI	40°	Warm White	PRI01218	PRI01226	
21W	230Vac	WALL	CASAMBI	40°	Neutral White	PRI01219	PRI01227	

** Certifications : please check technical specifications

Accessories References

	Black Finish	White Finish
22° Optical lens	ACC00189	ACC00220
40° Optical lens	ACC00222	ACC00223
Barn doors	ACC00225	ACC00226
Optical Zoom 18 < 42° with shutters	ACC00329	ACC00330



SPX Lighting - Offices : 10 rue des Marronniers 94 240 L'Hay Les Roses - France.

Factory : Zac des Coinchettes - 36 100 Issoudun - France.

Contacts +33 01 82 33 02 80 - contact@spx-lighting.com - www.spx-lighting.com

All rights reserved. Partial or complete reproductions is prohibited unless written permission of SPX Lighting. Information contained in this document does not contractually bind SPX Lighting. Despite the care SPX Lighting brings to the accuracy and precision of the present information, the responsibility of SPX Lighting can not be sought in case of inaccurate information. SPX Lighting reserves the right to change this information at any time without prior notice. SPX Lighting cannot be held liable for the consequences of the use of the present document. This publication does not imply any transfer of intellectual property rights.

Date of publication February 2023.

VERSION 23A

