

SYCLOP Range



5
YEARS
WARRANTY



SYCLOP LP35

High lumen output and low energy consumption 35W framing projector. SYCLOP 35W Led is more efficient than a 150W halogen framing projector. Focusable optical zoom, beam angle from 18° to 42°. Tool free, quick-and-easy removal of the rotating optical zoom to convert it into a spotlight. Framing by 4 quick-and-easy-positioning shutters. Light Leaks free. Tool free access to the lenses. 230 Volts direct power supply. Several mounting possibilities : 3 circuits track adaptor, hook mounting, tieback mounting and wall mounting. (Other mounting options on demand) Tilt angle 200° - azimuth 365°. Holding positions by friction and locking screw. Handle free. Integrated magnetic filter holder. Integrated Gobo holder or filter holder.



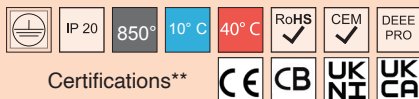
**MANUFACTURING
DESIGN**

Technical specifications

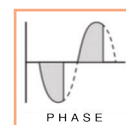
Light source type	LED
Led Power Rating	35 W
Beam angle	18° to 42° (Zoom)
Color temperature (Step Macadan SDCM2)	3 000 K - 4 000 K
Led nominal output	3 096 lm - 3 175 lm
CRI (Ra)	97 97
R9	> 96
Lumen maintenance L80B10	90 000 operating hours
Dimming/control	Potentiometer (on board dimming) / Phase-cut / DALI 2 / Casambi Casambi + Potentiometer
Thermal dissipation	Passive
Housing materials	Body : anodized aluminium – painted steel
Weight	1,950 kg (track adaptor version)
Finish	Black or White - Other RAL colors upon request



Vue de l'exposition Trésors de la Collection Al Thani à l'Hôtel de la Marine.
© The Al Thani Collection 2021. All rights reserved. Photographie par Marc Damage.



Certifications**



SPX Lighting - Offices : 10 rue des Marronniers 94 240 L'Hay Les Roses - France.

Factory : Zac des Coinchettes - 36 100 Issoudun - France.

Contacts +33 01 82 33 02 80 - contact@spx-lighting.com - www.spx-lighting.com

All rights reserved. Partial or complete reproductions is prohibited unless written permission of SPX Lighting. Information contained in this document does not contractually bind SPX Lighting. Despite the care SPX Lighting brings to the accuracy and precision of the present information, the responsibility of SPX Lighting can not be sought in case of inaccurate information. SPX Lighting reserves the right to change this information at any time without prior notice. SPX Lighting cannot be held liable for the consequences of the use of the present document. This publication does not imply any transfer of intellectual property rights.

Date of publication February 2023.

VERSION 23A



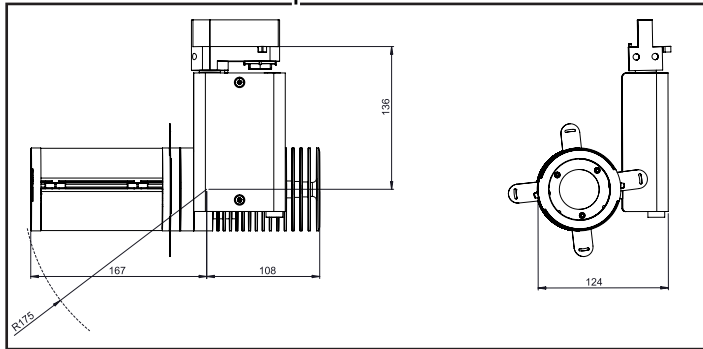
SYCLOP Range

SYCLOP LP35

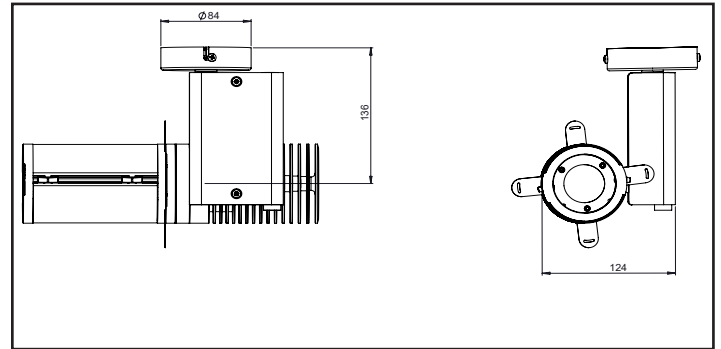
Mounting versions



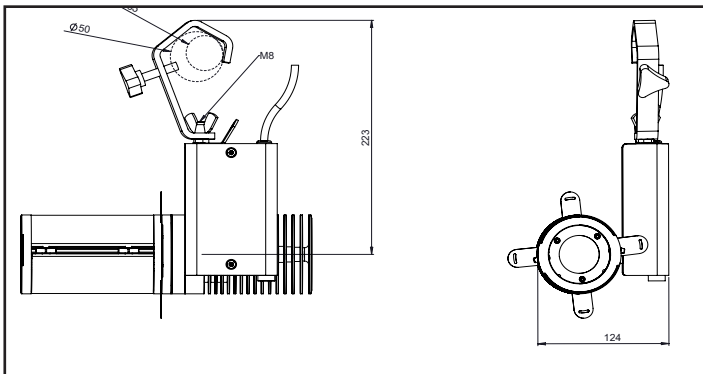
3 Circuits Track Adaptor



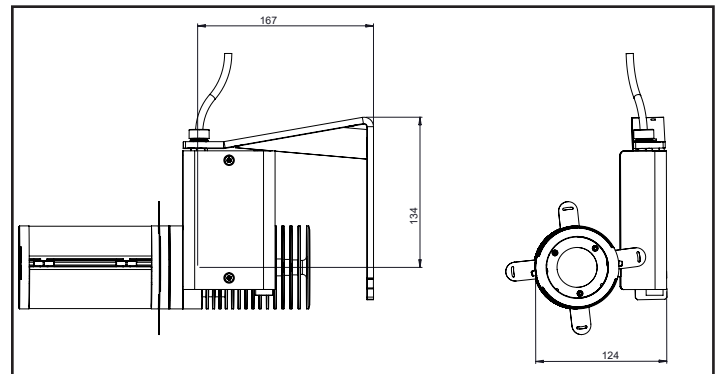
Tieback



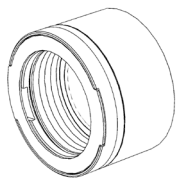
Hook



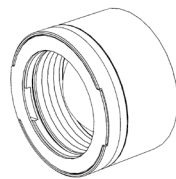
Wall



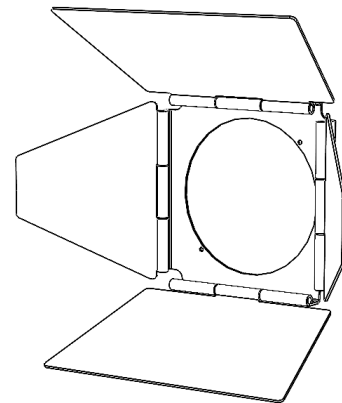
Accessories



22° Optical lens
with filter holder



40° Optical lens
with filter holder



Adjustable hinged barn-doors
(adaptable to the 22° or 40° optical lens)

Gobo / Glass Filter

Size E (37,5 mm)

Effective diameter 20 mm

Multilayers up to 4 mm maximum.



SPX Lighting - Offices : 10 rue des Marronniers 94 240 L'Hay Les Roses - France.

Factory : Zac des Coinchettes - 36 100 Issoudun - France.

Contacts +33 01 82 33 02 80 - contact@spx-lighting.com - www.spx-lighting.com

All rights reserved. Partial or complete reproductions is prohibited unless written permission of SPX Lighting. Information contained in this document does not contractually bind SPX Lighting. Despite the care SPX Lighting brings to the accuracy and precision of the present information, the responsibility of SPX Lighting can not be sought in case of inaccurate information. SPX Lighting reserves the right to change this information at any time without prior notice. SPX Lighting cannot be held liable for the consequences of the use of the present document. This publication does not imply any transfer of intellectual property rights.

VERSION 23A



SYCLOP LP35

Colorimetry Data

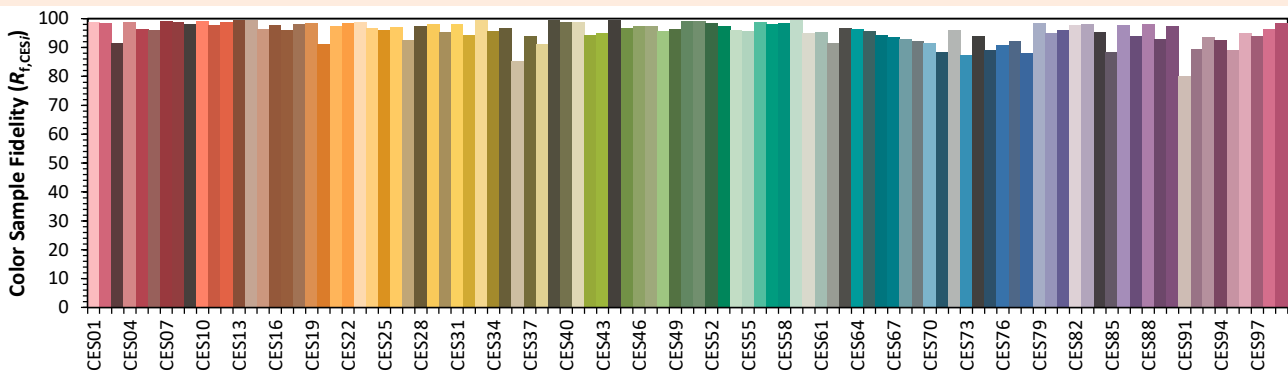
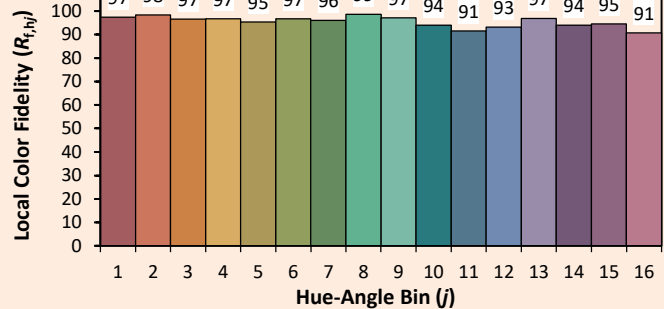
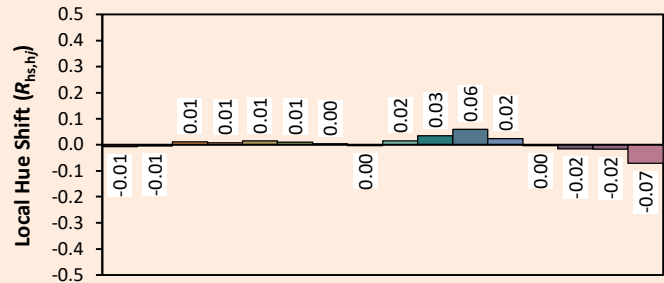
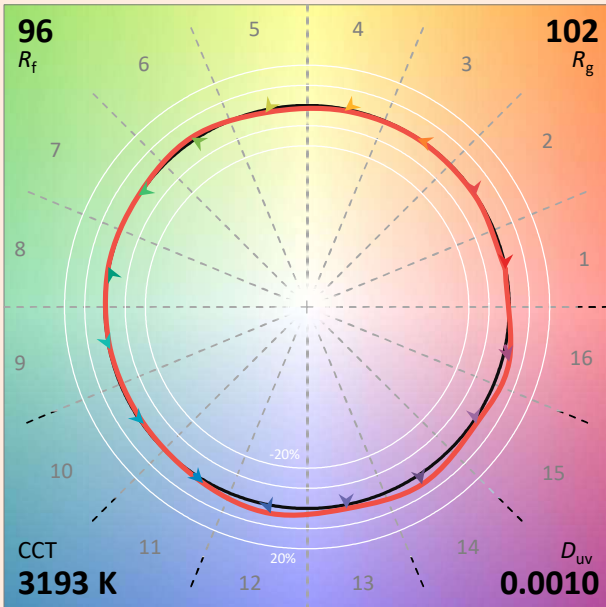
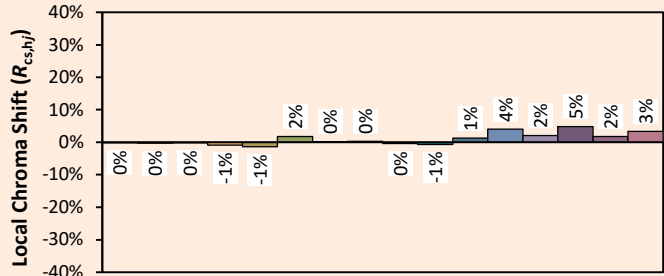
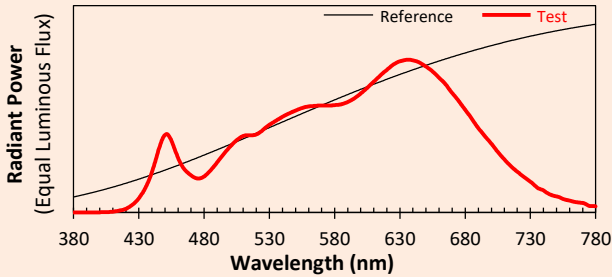


Source: COB 3000K

Date: 06/07/2022

Manufacturer: SPX LIGHTING

Model: SYCLOP 3000K



Notes:

Indicative values given as an indication, varying around the typical value..

x 0.4251
y 0.4021
u' 0.2438
v' 0.5189

CIE 13.3-1995 (CRI)

R_a 98
R_g 99



SPX Lighting - Offices : 10 rue des Marronniers 94 240 L'Hay Les Roses - France.

Factory : Zac des Coinchettes - 36 100 Issoudun - France.

Contacts +33 01 82 33 02 80 - contact@spx-lighting.com - www.spx-lighting.com

All rights reserved. Partial or complete reproductions is prohibited unless written permission of SPX Lighting. Information contained in this document does not contractually bind SPX Lighting. Despite the care SPX Lighting brings to the accuracy and precision of the present information, the responsibility of SPX Lighting can not be sought in case of inaccurate information. SPX Lighting reserves the right to change this information at any time without prior notice. SPX Lighting cannot be held liable for the consequences of the use of the present document. This publication does not imply any transfer of intellectual property rights.

Date of publication February 2023.
VERSION 23A



SYCLOP LP35

Colorimetry Data

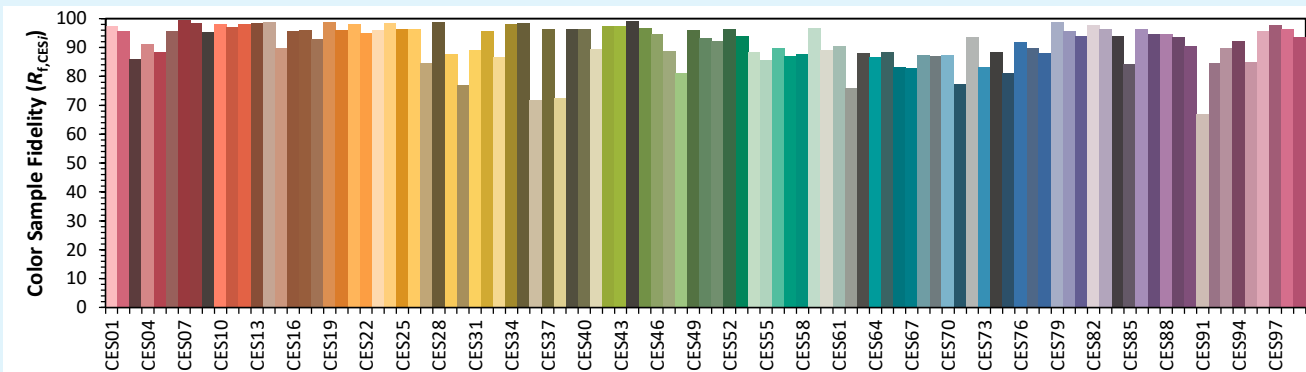
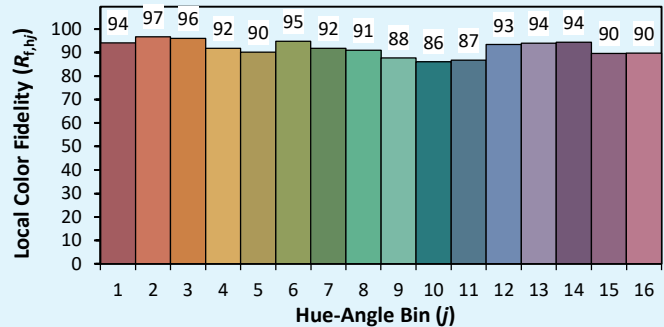
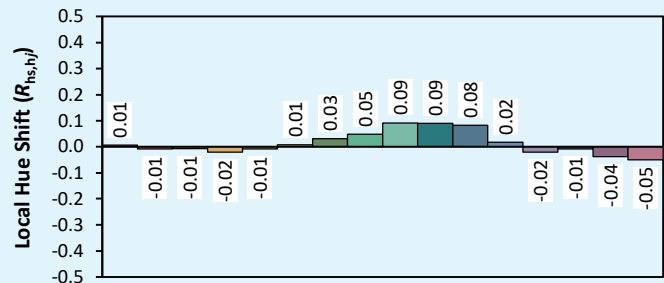
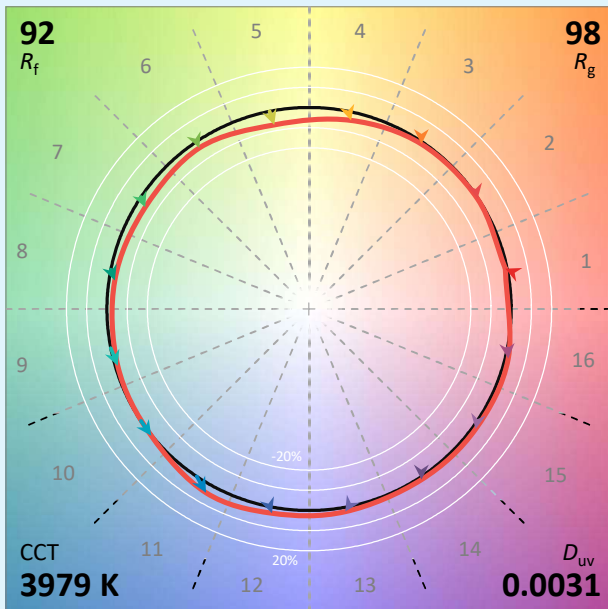
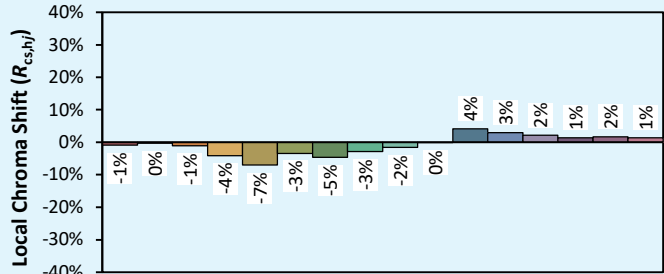
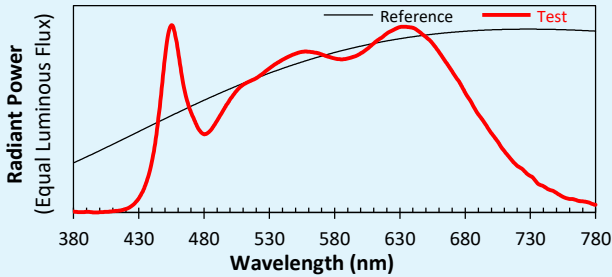


Source: COB 4000K

Date: 06/07/2022

Manufacturer: SPX LIGHTING

Model: SYCLOP 4000K



Notes:

Indicative values given as an indication, varying around the typical value.

x **0.3836**
 y **0.3855**
 u' **0.2237**
 v' **0.5058**

CIE 13.3-1995
(CRI)

R_a 96
 R_g 96



SPX Lighting - Offices : 10 rue des Marronniers 94 240 L'Hay Les Roses - France.

Factory : Zac des Coinchettes - 36 100 Issoudun - France.

Contacts +33 01 82 33 02 80 - contact@spx-lighting.com - www.spx-lighting.com

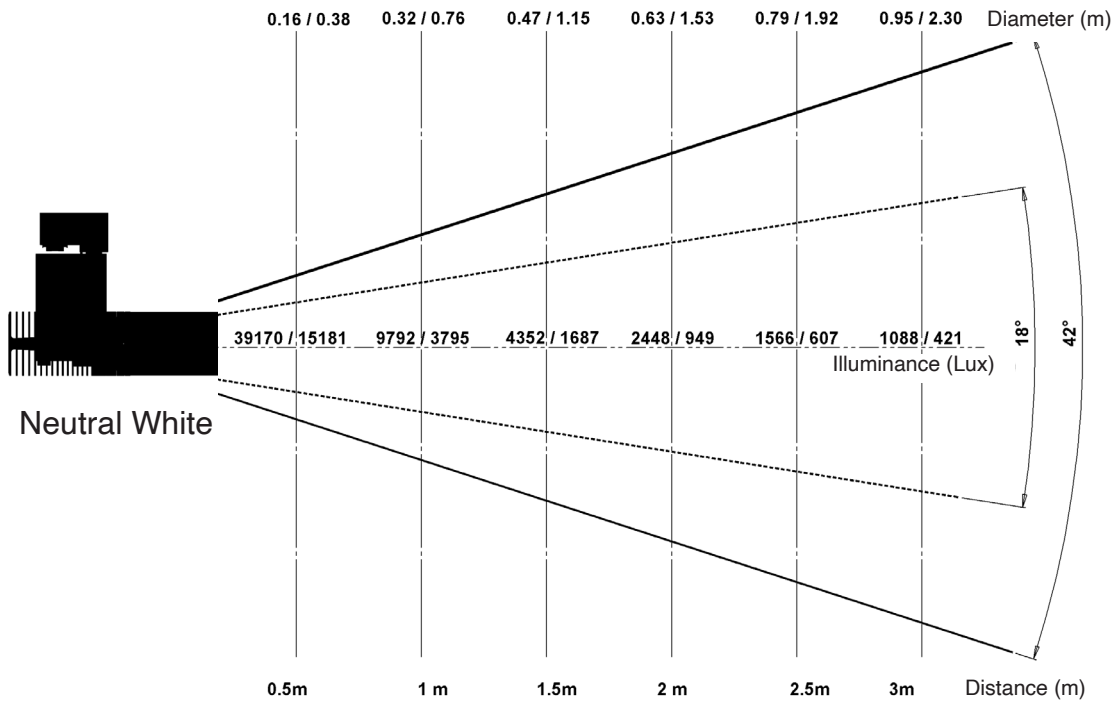
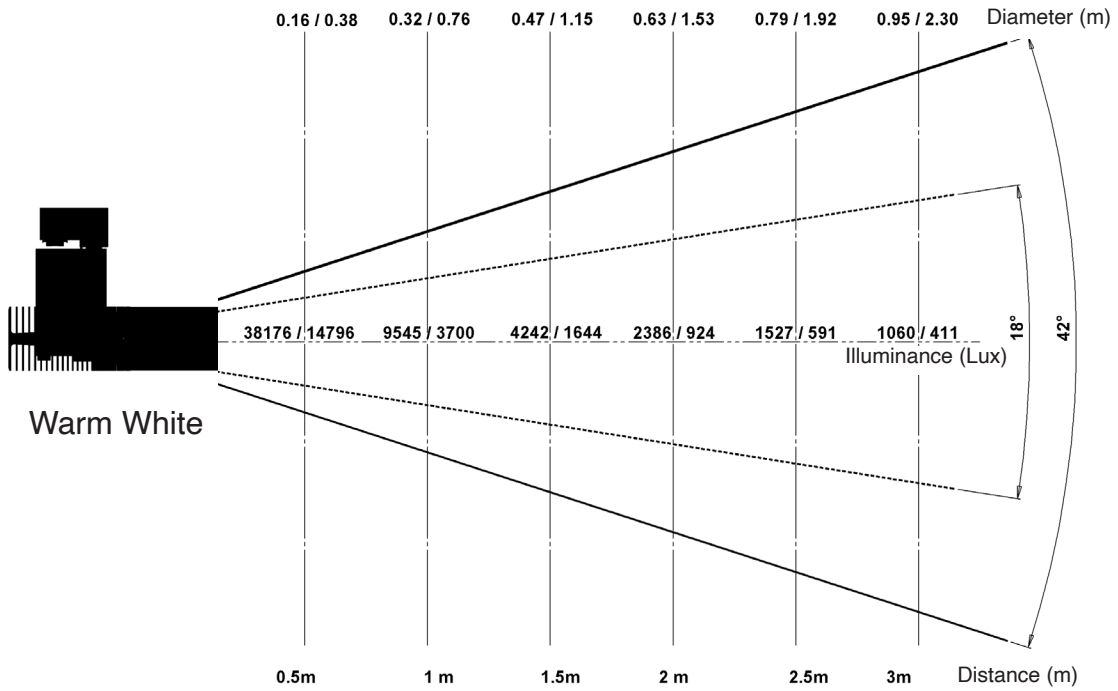
All rights reserved. Partial or complete reproductions is prohibited unless written permission of SPX Lighting. Information contained in this document does not contractually bind SPX Lighting. Despite the care SPX Lighting brings to the accuracy and precision of the present information, the responsibility of SPX Lighting can not be sought in case of inaccurate information. SPX Lighting reserves the right to change this information at any time without prior notice. SPX Lighting cannot be held liable for the consequences of the use of the present document. This publication does not imply any transfer of intellectual property rights.

Date of publication February 2023.
 VERSION 23A



SYCLOP LP35

Photometry Data



SPX Lighting - Offices : 10 rue des Marronniers 94 240 L'Hay Les Roses - France.

Factory : Zac des Coinchettes - 36 100 Issoudun - France.

Contacts +33 01 82 33 02 80 - contact@spx-lighting.com - www.spx-lighting.com

All rights reserved. Partial or complete reproductions is prohibited unless written permission of SPX Lighting. Information contained in this document does not contractually bind SPX Lighting. Despite the care SPX Lighting brings to the accuracy and precision of the present information, the responsibility of SPX Lighting can not be sought in case of inaccurate information. SPX Lighting reserves the right to change this information at any time without prior notice. SPX Lighting cannot be held liable for the consequences of the use of the present document. This publication does not imply any transfer of intellectual property rights.

VERSION 23A



SYCLOP LP35

Items References



Power Consumption	Mounting Versions	Dimming Control	Zoom	Color Temp	Black Finish	White Finish	
40W	Nordic 3 Circuits Track Adaptor	Potentiometer	18° to 42°	Warm White	CAI00519	CAI00529	**
40W	Nordic 3 Circuits Track Adaptor	Potentiometer	18° to 42°	Neutral White	CAI00520	CAI00530	**
40W	Nordic 3 Circuits Track Adaptor	DALI	18° to 42°	Warm White	CAI00521	CAI00531	
40W	Nordic 3 Circuits Track Adaptor	DALI	18° to 42°	Neutral White	CAI00522	CAI00532	
40W	Nordic 3 Circuits Track Adaptor	PHASE CUT	18° to 42°	Warm White	CAI00523	CAI00533	
40W	Nordic 3 Circuits Track Adaptor	PHASE CUT	18° to 42°	Neutral White	CAI00524	CAI00534	
40W	Nordic 3 Circuits Track Adaptor	CASAMBI	18° to 42°	Warm White	CAI00525	CAI00535	**
40W	Nordic 3 Circuits Track Adaptor	CASAMBI	18° to 42°	Neutral White	CAI00526	CAI00536	**
40W	Nordic 3 Circuits Track Adaptor	CASAMBI or POT	18° to 42°	Warm White	CAI00527	CAI00537	
40W	Nordic 3 Circuits Track Adaptor	CASAMBI or POT	18° to 42°	Neutral White	CAI00528	CAI00538	
40W	TIEBACK	Potentiometer	18° to 42°	Warm White	CAI00539	CAI00547	
40W	TIEBACK	Potentiometer	18° to 42°	Neutral White	CAI00540	CAI00548	
40W	TIEBACK	DALI	18° to 42°	Warm White	CAI00541	CAI00549	
40W	TIEBACK	DALI	18° to 42°	Neutral White	CAI00542	CAI00550	
40W	TIEBACK	PHASE CUT	18° to 42°	Warm White	CAI00543	CAI00551	
40W	TIEBACK	PHASE CUT	18° to 42°	Neutral White	CAI00544	CAI00552	
40W	TIEBACK	CASAMBI	18° to 42°	Warm White	CAI00545	CAI00553	
40W	TIEBACK	CASAMBI	18° to 42°	Neutral White	CAI00546	CAI00554	
40W	HOOK	Potentiometer	18° to 42°	Warm White	CAI00555	CAI00563	
40W	HOOK	Potentiometer	18° to 42°	Neutral White	CAI00556	CAI00564	
40W	HOOK	DALI	18° to 42°	Warm White	CAI00561	CAI00569	
40W	HOOK	DALI	18° to 42°	Neutral White	CAI00562	CAI00570	
40W	HOOK	PHASE CUT	18° to 42°	Warm White	CAI00557	CAI00565	
40W	HOOK	PHASE CUT	18° to 42°	Neutral White	CAI00558	CAI00566	
40W	HOOK	CASAMBI	18° to 42°	Warm White	CAI00559	CAI00567	
40W	HOOK	CASAMBI	18° to 42°	Neutral White	CAI00560	CAI00568	
40W	WALL	Potentiometer	10° to 20°	Warm White	CAI00571	CAI00579	
40W	WALL	Potentiometer	10° to 20°	Neutral White	CAI00572	CAI00580	
40W	WALL	DALI	10° to 20°	Warm White	CAI00573	CAI00581	
40W	WALL	DALI	10° to 20°	Neutral White	CAI00574	CAI00582	
40W	WALL	PHASE CUT	10° to 20°	Warm White	CAI00575	CAI00583	
40W	WALL	PHASE CUT	10° to 20°	Neutral White	CAI00576	CAI00584	
40W	WALL	CASAMBI	18° to 42°	Warm White	CAI00577	CAI00585	
40W	WALL	CASAMBI	18° to 42°	Neutral White	CAI00578	CAI00586	

** Certifications : Please check technical specifications

Accessories References

	Black Finish	White Finish
22° Optical lens	ACC00189	ACC00220
40° Optical lens	ACC00222	ACC00223
Barn doors	ACC00225	ACC00226



SPX Lighting - Offices : 10 rue des Marronniers 94 240 L'Hay Les Roses - France.

Factory : Zac des Coinchettes - 36 100 Issoudun - France.

Contacts +33 01 82 33 02 80 - contact@spx-lighting.com - www.spx-lighting.com

All rights reserved. Partial or complete reproductions is prohibited unless written permission of SPX Lighting. Information contained in this document does not contractually bind SPX Lighting. Despite the care SPX Lighting brings to the accuracy and precision of the present information, the responsibility of SPX Lighting can not be sought in case of inaccurate information. SPX Lighting reserves the right to change this information at any time without prior notice. SPX Lighting cannot be held liable for the consequences of the use of the present document. This publication does not imply any transfer of intellectual property rights.
Date of publication February 2023.

VERSION 23A

