

SYCLOP Range



5
YEARS
WARRANTY



SYCLOP LP25

High lumen output and low energy consumption 25W framing projector.
Focusable optical zoom, beam angle from 18° to 42°.
Tool free, quick-and-easy removal of the rotating optical zoom to convert it into a spotlight.
Framing by 4 quick-and-easy-positioning shutters.
Light Leaks free.
Tool free access to the lenses.
230 Volts direct power supply.
Several mounting possibilities : 3 circuits track adaptor, hook mounting, tieback mounting and wall mounting. (Other mounting options on demand)
Tilt angle 200° - azimuth 365°.
Holding positions by friction and locking screw. Handle free.
Integrated magnetic filter holder.
Integrated Gobo holder or filter holder.



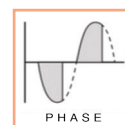
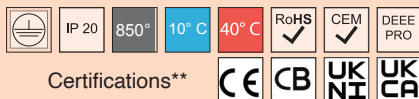
**MANUFACTURING
DESIGN**

Technical specifications

Light source type	LED
Led Power Rating	25 W
Beam angle	18° to 42° (Zoom)
Color temperature (Step Macadam SDCM2)	3 000 K - 4 000 K
Led nominal output	2 470 lm - 2 530 lm
CRI (Ra)	97 97
R9	> 96
Lumen maintenance L80B10	105 000 operating hours
Dimming/control	Potentiometer (on board dimming)/Phase-cut / DALI 2 / Casambi Casambi + Potentiometer
Thermal dissipation	Passive
Housing materials	Body : anodized aluminium –1,950 kg (track adaptor version) Black or White - Other RAL colors upon request
Finish	



View of the Treasures of the Al Thani Collection exhibition at the Hôtel de la Marine.
© The Al Thani Collection 2021. All rights reserved. Photographie par Marc Damage.



SPX Lighting - Offices : 10 rue des Marronniers 94 240 L'Hay Les Roses - France.

Factory : Zac des Coinchettes - 36 100 Issoudun - France.

Contacts +33 01 82 33 02 80 - contact@spx-lighting.com - www.spx-lighting.com

All rights reserved. Partial or complete reproductions is prohibited unless written permission of SPX Lighting. Information contained in this document does not contractually bind SPX Lighting. Despite the care SPX Lighting brings to the accuracy and precision of the present information, the responsibility of SPX Lighting can not be sought in case of inaccurate information. SPX Lighting reserves the right to change this information at any time without prior notice. SPX Lighting cannot be held liable for the consequences of the use of the present document. This publication does not imply any transfer of intellectual property rights.

Date of publication February 2023.

VERSION 23A



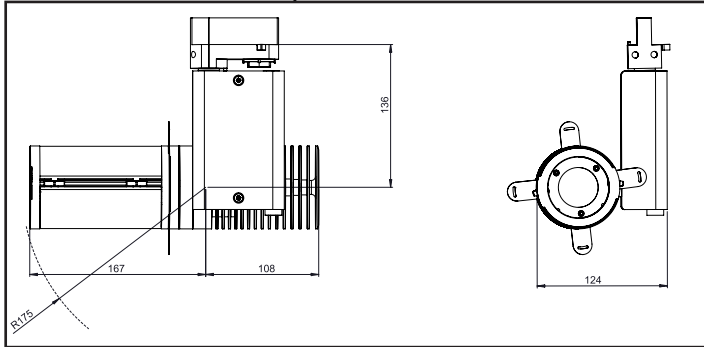
SYCLOP Range

SYCLOP LP25

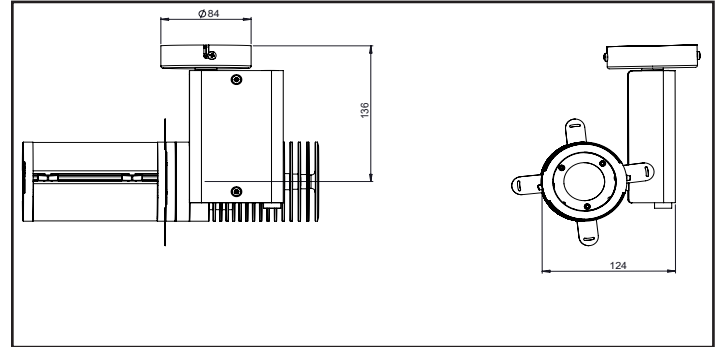
Mounting versions



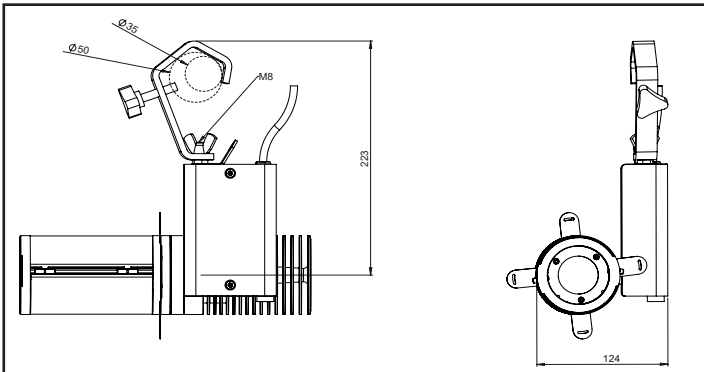
3 Circuits Track Adaptor



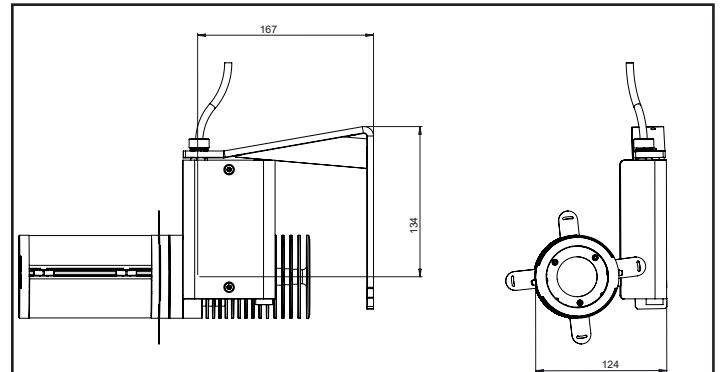
Tieback



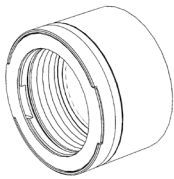
Hook



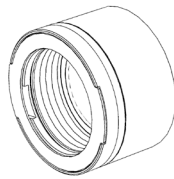
Wall



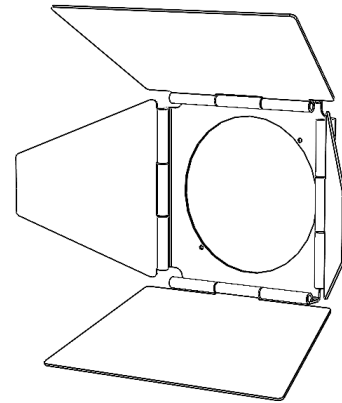
Accessories



22° Optical lens
with filter holder



40° Optical lens
with filter holder



Adjustable hinged barn-doors
(adaptable to the 22° or 40° optical lens)

Gobo / Glass Filter

Size E (37,5 mm)

Effective diameter 20 mm

Multilayers up to 4 mm maximum.



SPX Lighting - Offices : 10 rue des Marronniers 94 240 L'Hay Les Roses - France.

Factory : Zac des Coinchettes - 36 100 Issoudun - France.

Contacts +33 01 82 33 02 80 - contact@spx-lighting.com - www.spx-lighting.com

All rights reserved. Partial or complete reproductions is prohibited unless written permission of SPX Lighting. Information contained in this document does not contractually bind SPX Lighting. Despite the care SPX Lighting brings to the accuracy and precision of the present information, the responsibility of SPX Lighting can not be sought in case of inaccurate information. SPX Lighting reserves the right to change this information at any time without prior notice. SPX Lighting cannot be held liable for the consequences of the use of the present document. This publication does not imply any transfer of intellectual property rights.

Date of publication February 2023.

VERSION 23A



SYCLOP LP25

Colorimetry Data

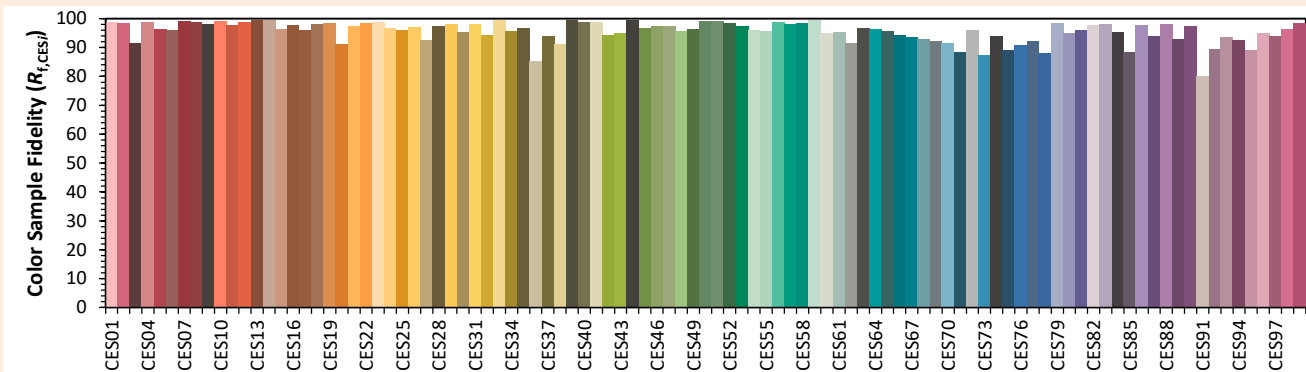
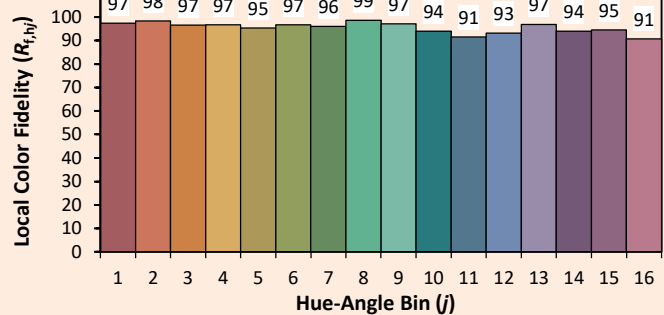
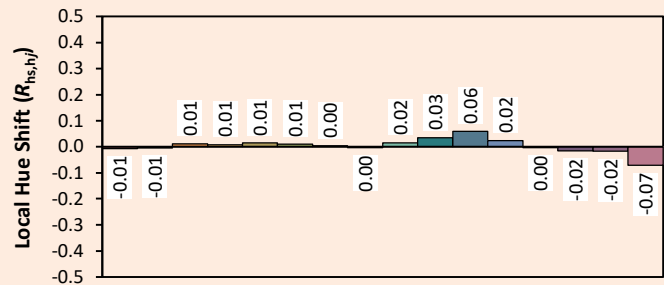
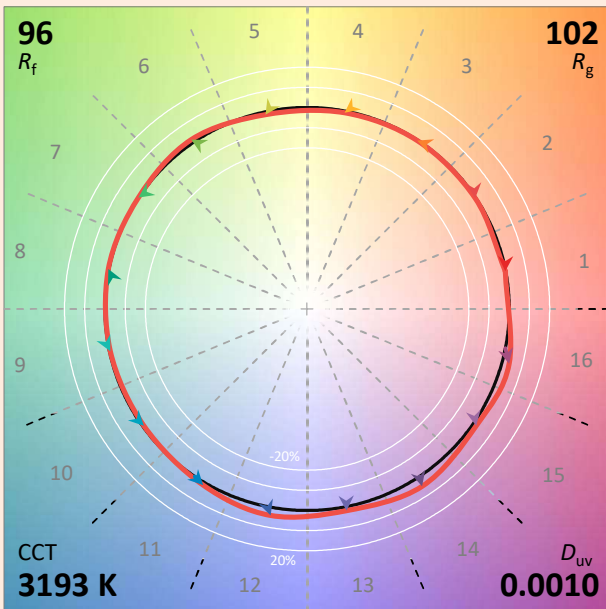
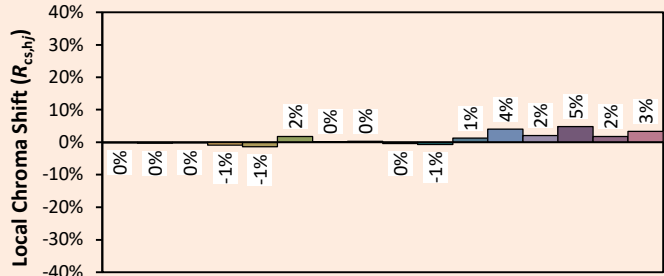
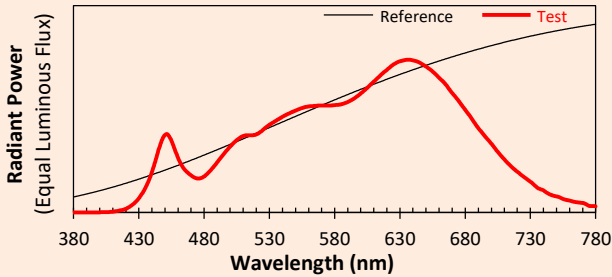


Source: COB 3000K

Manufacturer: SPX LIGHTING

Date: 06/07/2022

Model: SYCLOP 3000K



Notes:

Indicative values given as an indication, varying around the typical value.

x 0.4251
 y 0.4021
 u' 0.2438
 v' 0.5189

CIE 13.3-1995
 (CRI)

R_a 98
 R_g 99



SPX Lighting - Offices : 10 rue des Marronniers 94 240 L'Hay Les Roses - France.

Factory : Zac des Coinchettes - 36 100 Issoudun - France.

Contacts +33 01 82 33 02 80 - contact@spx-lighting.com - www.spx-lighting.com

All rights reserved. Partial or complete reproductions is prohibited unless written permission of SPX Lighting. Information contained in this document does not contractually bind SPX Lighting. Despite the care SPX Lighting brings to the accuracy and precision of the present information, the responsibility of SPX Lighting can not be sought in case of inaccurate information. SPX Lighting reserves the right to change this information at any time without prior notice. SPX Lighting cannot be held liable for the consequences of the use of the present document. This publication does not imply any transfer of intellectual property rights.

Date of publication February 2023.
 VERSION 23A



SYCLOP LP25

Colorimetry Data

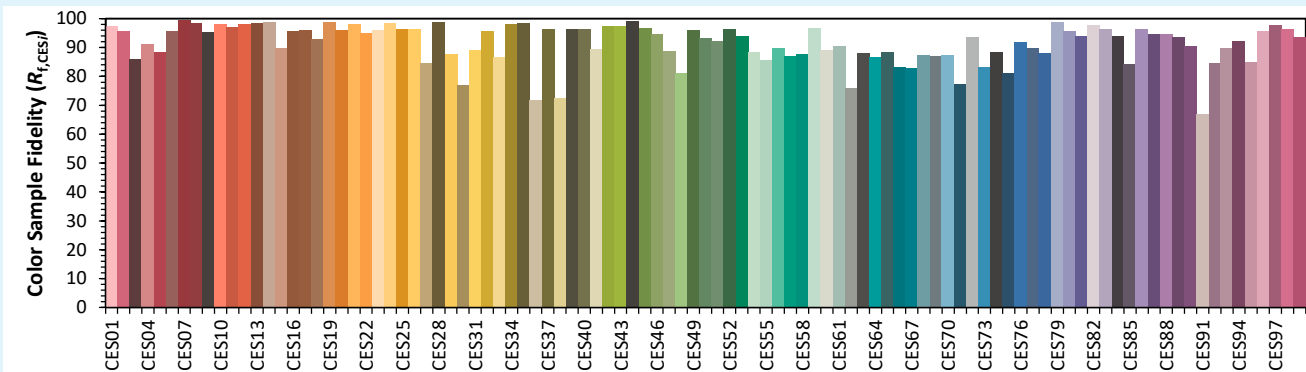
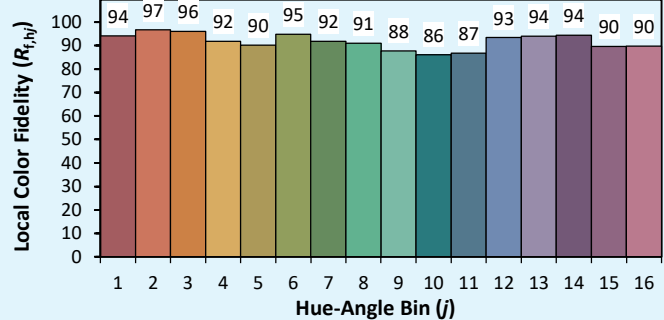
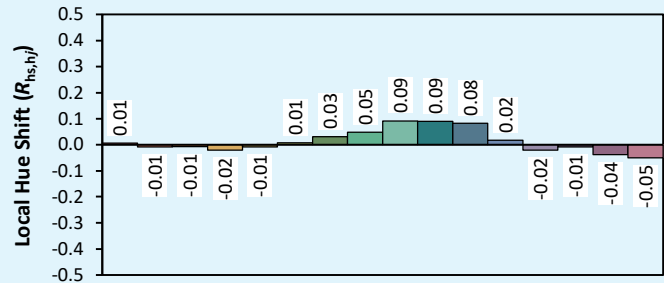
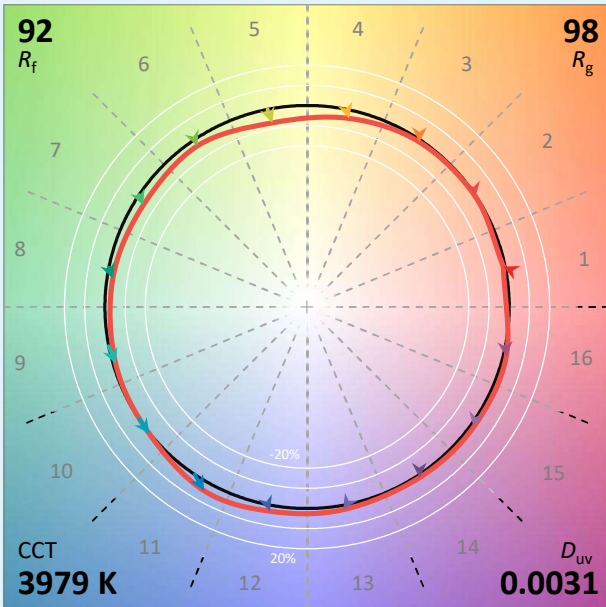
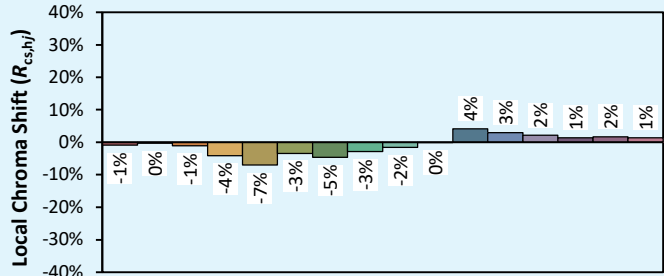
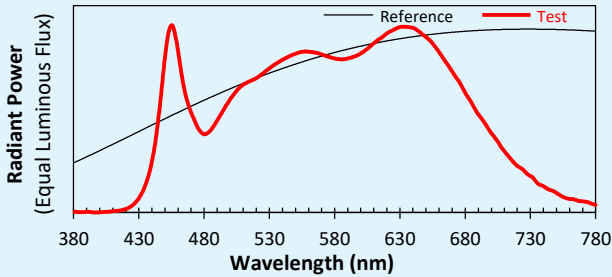


Source: COB 4000K

Manufacturer: SPX LIGHTING

Date: 06/07/2022

Model: SYCLOP 4000K



Notes:

Indicative values given as an indication, varying around the typical value.

x 0.3836
 y 0.3855
 u' 0.2237
 v' 0.5058

CIE 13.3-1995
 (CRI)

R_a 96
 R_g 96



SPX Lighting - Offices : 10 rue des Marronniers 94 240 L'Hay Les Roses - France.

Factory : Zac des Coinchettes - 36 100 Issoudun - France.

Contacts +33 01 82 33 02 80 - contact@spx-lighting.com - www.spx-lighting.com

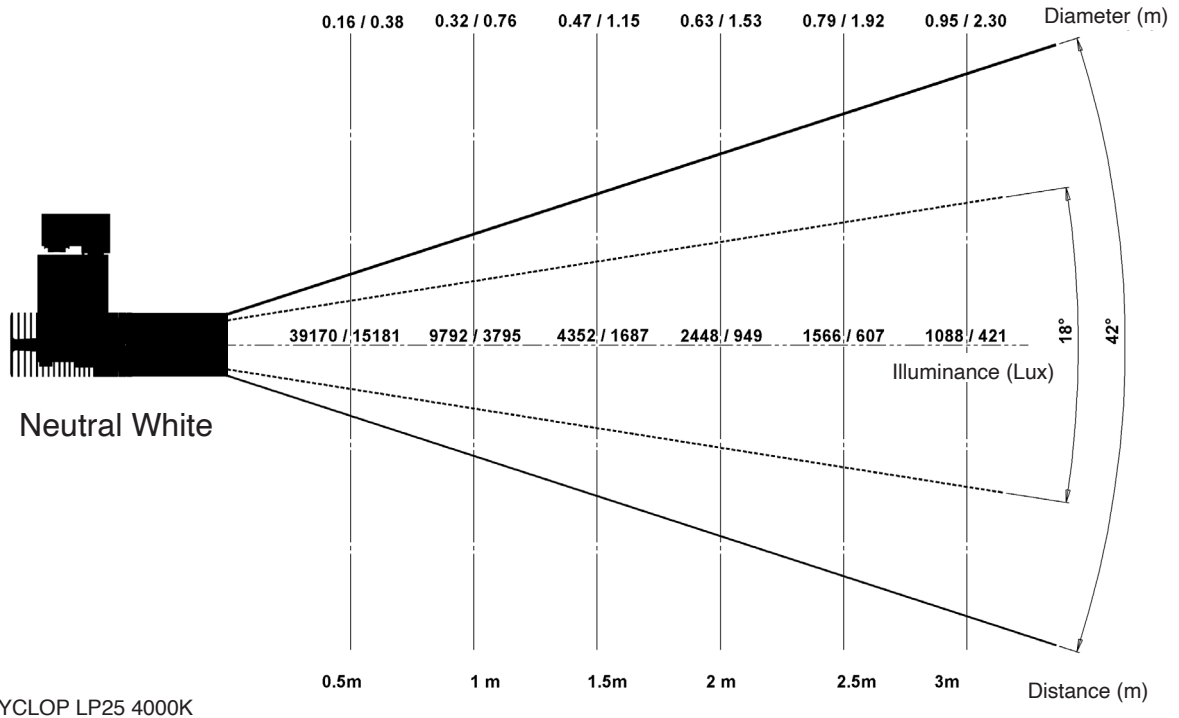
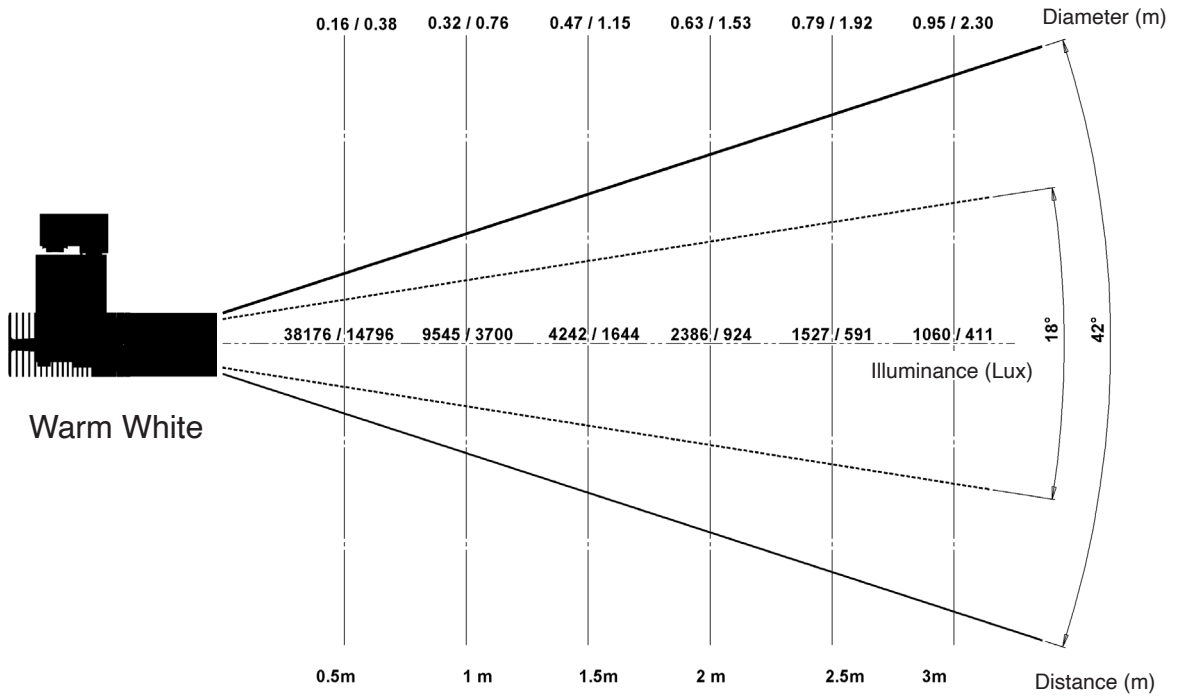
All rights reserved. Partial or complete reproductions is prohibited unless written permission of SPX Lighting. Information contained in this document does not contractually bind SPX Lighting. Despite the care SPX Lighting brings to the accuracy and precision of the present information, the responsibility of SPX Lighting can not be sought in case of inaccurate information. SPX Lighting reserves the right to change this information at any time without prior notice. SPX Lighting cannot be held liable for the consequences of the use of the present document. This publication does not imply any transfer of intellectual property rights.

Date of publication February 2023.
 VERSION 23A



SYCLOP LP25

Photometry Data



SPX Lighting - Offices : 10 rue des Marronniers 94 240 L'Hay Les Roses - France.

Factory : Zac des Coinchettes - 36 100 Issoudun - France.

Contacts +33 01 82 33 02 80 - contact@spx-lighting.com - www.spx-lighting.com

All rights reserved. Partial or complete reproductions is prohibited unless written permission of SPX Lighting. Information contained in this document does not contractually bind SPX Lighting. Despite the care SPX Lighting brings to the accuracy and precision of the present information, the responsibility of SPX Lighting can not be sought in case of inaccurate information. SPX Lighting reserves the right to change this information at any time without prior notice. SPX Lighting cannot be held liable for the consequences of the use of the present document. This publication does not imply any transfer of intellectual property rights.

VERSION 23A



SYCLOP LP25

Items References



Power Consumption	Mounting Versions	Dimming Control	Zoom	Color Temperature	Black Finish	White Finish	
29W	Nordic 3 Circuits Track Adaptor	Potentiometer	18° to 42°	Warm White	CAI00587	CAI00597	**
29W	Nordic 3 Circuits Track Adaptor	Potentiometer	18° to 42°	Neutral White	CAI00588	CAI00598	**
29W	Nordic 3 Circuits Track Adaptor	DALI	18° to 42°	Warm White	CAI00593	CAI00603	**
29W	Nordic 3 Circuits Track Adaptor	DALI	18° to 42°	Neutral White	CAI00594	CAI00604	**
29W	Nordic 3 Circuits Track Adaptor	PHASE-CUT	18° to 42°	Warm White	CAI00589	CAI00599	
29W	Nordic 3 Circuits Track Adaptor	PHASE-CUT	18° to 42°	Neutral White	CAI00590	CAI00600	
29W	Nordic 3 Circuits Track Adaptor	CASAMBI	18° to 42°	Warm White	CAI00591	CAI00601	
29W	Nordic 3 Circuits Track Adaptor	CASAMBI	18° to 42°	Neutral White	CAI00592	CAI00602	
29W	Nordic 3 Circuits Track Adaptor	CASAMBI + POT	18° to 42°	Warm White	CAI00700	CAI00702	
29W	Nordic 3 Circuits Track Adaptor	CASAMBI + POT	18° to 42°	Neutral White	CAI00701	CAI00703	
29W	TIEBACK	Potentiometer	18° to 42°	Warm White	CAI00605	CAI00613	
29W	TIEBACK	Potentiometer	18° to 42°	Neutral White	CAI00606	CAI00614	
29W	TIEBACK	DALI	18° to 42°	Warm White	CAI00611	CAI00619	
29W	TIEBACK	DALI	18° to 42°	Neutral White	CAI00612	CAI00620	
29W	TIEBACK	PHASE-CUT	18° to 42°	Warm White	CAI00607	CAI00615	
29W	TIEBACK	PHASE-CUT	18° to 42°	Neutral White	CAI00608	CAI00616	
29W	TIEBACK	CASAMBI	18° to 42°	Warm white	CAI00609	CAI00617	
29W	TIEBACK	CASAMBI	18° to 42°	Neutral White	CAI00610	CAI00618	
29W	HOOK	Potentiometer	18° to 42°	Warm White	CAI00621	CAI00629	
29W	HOOK	Potentiometer	18° to 42°	Neutral White	CAI00622	CAI00630	
29W	HOOK	DALI	18° to 42°	Warm White	CAI00627	CAI00635	
29W	HOOK	DALI	18° to 42°	Neutral White	CAI00628	CAI00636	
29W	HOOK	PHASE-CUT	18° to 42°	Warm White	CAI00623	CAI00631	
29W	HOOK	PHASE-CUT	18° to 42°	Neutral White	CAI00624	CAI00632	
29W	HOOK	CASAMBI	18° to 42°	Warm white	CAI00625	CAI00633	
29W	HOOK	CASAMBI	18° to 42°	Neutral White	CAI00626	CAI00634	
29W	WALL	Potentiometer	18° to 42°	Warm White	CAI00637	CAI00645	
29W	WALL	Potentiometer	18° to 42°	Neutral White	CAI00638	CAI00646	
29W	WALL	DALI	18° to 42°	Warm White	CAI00643	CAI00651	
29W	WALL	DALI	18° to 42°	Neutral White	CAI00644	CAI00652	
29W	WALL	PHASE-CUT	18° to 42°	Warm White	CAI00639	CAI00647	
29W	WALL	PHASE-CUT	18° to 42°	Neutral White	CAI00640	CAI00648	
29W	WALL	CASAMBI	18° to 42°	Warm White	CAI00641	CAI00649	
29W	WALL	CASAMBI	18° to 42°	Neutral White	CAI00642	CAI00650	

** Certifications : Please check technical specifications

Accessories References

	Black Finish	White Finish
22° Optical lens	ACC00189	ACC00220
40° Optical lens	ACC00222	ACC00223
Barn doors	ACC00225	ACC00226



SPX Lighting - Offices : 10 rue des Marronniers 94 240 L'Hay Les Roses - France.

Factory : Zac des Coinchettes - 36 100 Issoudun - France.

Contacts +33 01 82 33 02 80 - contact@spx-lighting.com - www.spx-lighting.com

All rights reserved. Partial or complete reproductions is prohibited unless written permission of SPX Lighting. Information contained in this document does not contractually bind SPX Lighting. Despite the care SPX Lighting brings to the accuracy and precision of the present information, the responsibility of SPX Lighting can not be sought in case of inaccurate information. SPX Lighting reserves the right to change this information at any time without prior notice. SPX Lighting cannot be held liable for the consequences of the use of the present document. This publication does not imply any transfer of intellectual property rights.

VERSION 23A

